

Active pulsation dampeners

Catalogue 2014 rev 1

The new
DT series



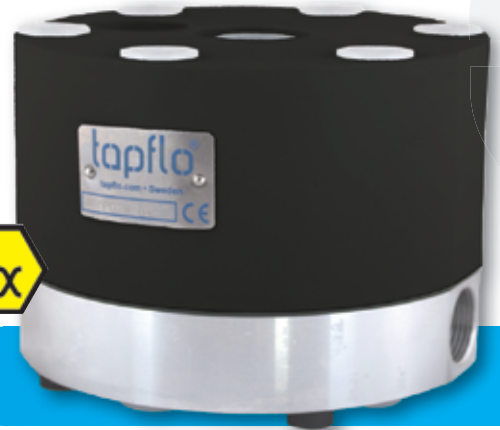
tapflo®

DT series

Active pulsation dampeners

The active pulsation dampener is the most efficient way to remove pressure variations on the discharge of the pump.

The Tapflo pulsation dampener works actively with compressed air and a diaphragm, automatically setting the correct pressure to minimise the pulsations.



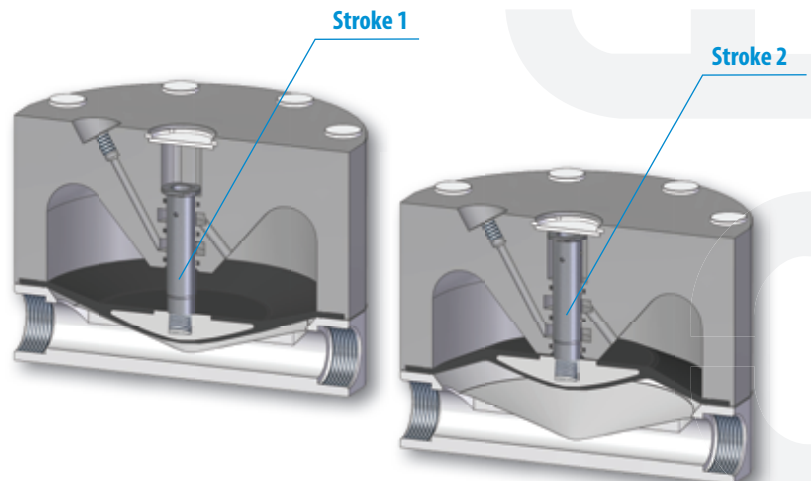
Explosion proof models are available

Certified according to directive 94/9/EC (ATEX), group II, cat 2, for use in EX-zone 1.

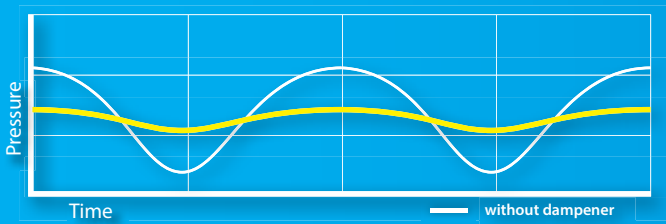
Contact us for information.

How it works

When the liquid pressure falls in the piping system, the pulsation dampener supplies extra pressure to the discharge between the pump strokes by displacing liquid by means of diaphragm movement. This pumping action created by the dampener, decreases the pressure variations and pulsations.



■ Features when using the DT series pulsation dampener

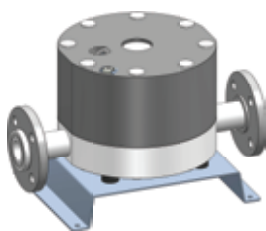


The dampening effect

The pressure variation in a discharge line with and without a pulsation dampener.

- Minimized vibrations and water hammer effects
- Protection of all kinds of instruments in your pipe system
- Optimized pump performance and reduced maintenance costs

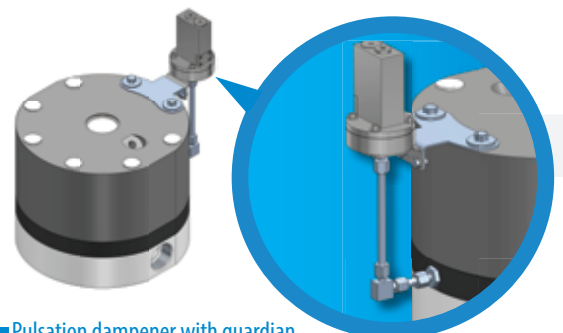
Options & accessories



■ Pulsation dampener with stand



■ Pulsation dampener with pump

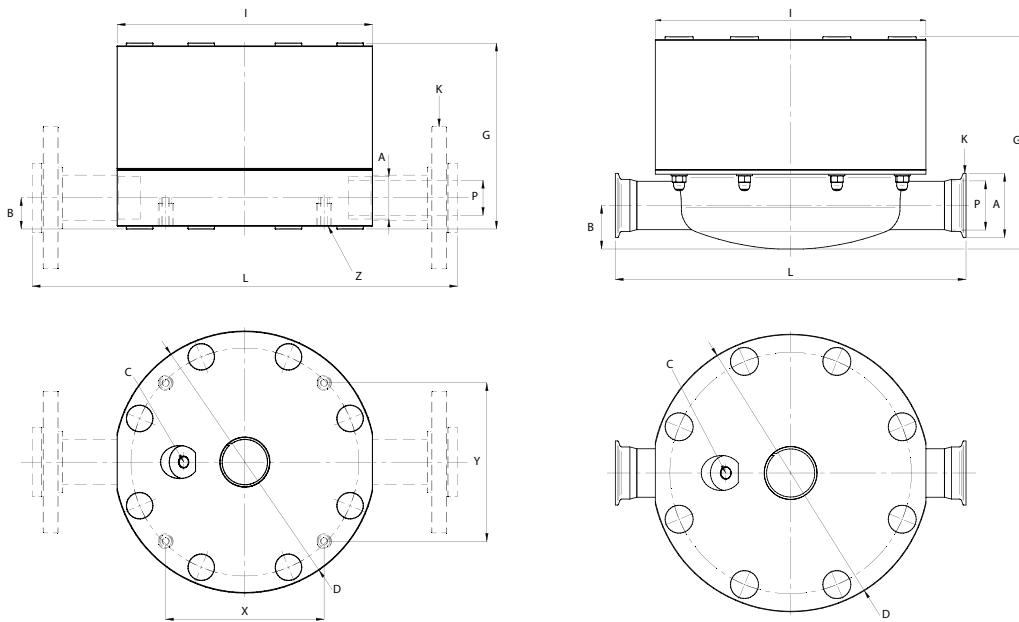


■ Pulsation dampener with guardian

DT series - Active pulsation dampeners - dimensions

PE, PTFE & aluminium dampeners

Stainless steel and sanitary dampener



Dimensions in mm (where other is not indicated) | Dimensions in inch (where other is not indicated)

DIMENSION	DAMPENER SIZE																		
	9/20	25	30	50	70	80	100	120	125	200	220	225	400	420	425	800	820	825	
A (BSP)	G 3/8"			G 1/2"		G 3/4"		G 1"			G 1 1/2"			G 2"			G 3 1/2"		
B	15/33 ¹	13	10,6	17/35 ¹	15,5	16,5	25,5/42,5 ¹	22,5	16,5	33/50 ¹	30	43,5	40,5/58 ¹	38	46	92	90	19,3	
	0,59/1,3 ¹	0,51	0,42	0,67/1,38 ¹	0,61	0,65	1/1,67 ¹	0,89	0,65	1,3/1,97 ¹	1,18	1,71	1,59/2,28 ¹	1,50	1,81	3,62	3,54	0,76	
C	G 1/8"			G 1/4"			G 1/4"			G 1/4"			G 1/4"			G 1/4"			
D	110			158			208			277			360			470			
	4,33			6,22			8,19			10,91			14,17			18,50			
G	85/103 ¹	81	78,5	109,5/129,5 ¹	105,5	117,5	144,5/161,5 ¹	141,5	135	200,5/217,5 ¹	197,5	216	244/261 ¹	241	256,5	394	392	330	
	3,35/4,06 ¹	3,19	3,09	4,31/5,1 ¹	4,15	4,63	5,69/6,36 ¹	5,57	5,31	7,89/8,56 ¹	7,78	8,50	9,61/10,28 ¹	9,49	10,10	15,51	15,43	12,99	
I	107			155			203			270			352			470			
	4,21			6,10			7,99			10,63			13,86			18,50			
L	G 3/8"			G 1/2"		G 3/4"		G 1"			G 1 1/2"			G 2"			G 3 1/2"		
	DIN & ANSI Flange	235	-	285	-	-	375	-	-	450	-	-	550	-	-	700	-	-	
	BSP	9,25	-	11,22	-	-	14,76	-	-	17,72	-	-	21,65	-	-	27,56	-	-	
	Other Connections ³	107	-	155	-	-	203	-	-	270	-	-	352	-	-	470	-	-	
		4,21	-	6,10	-	-	7,99	-	-	10,63	-	-	13,86	-	-	18,50	-	-	
P (BSP)	G 3/8"			G 1/2"		G 3/4"		G 1"			G 1 1/2"			G 2"			G 3 1/2"		
X	36			90,3			113,8			167,6			226,3			297			
	1,42			3,56			4,48			6,60			8,91			11,69			
Y	86,8			100,3			135,6			167,6			226,3			297			
	3,42			3,95			5,34			6,60			8,99			11,69			
Z	M4x20	M4x17	-	M4x20	M4x17	-	M8x30/22 ¹	M8x25	-	M8x30/22 ¹	M8x25	-	M8x30/22 ¹	M8x25	-	M8x22 PTFE	M8x25	-	

- 1 PE / PTFE
- 2 ALU / SS
- 3 ISO 2852, DIN 11851, SMS1145, BS 4825 (RTJ)
- * Dimensions for other connections in IOM Manual p. 17

Dampener code

The details, specification, size and materials of the major components.

For Tapflo pump size (l/min)
PD - Tapflo active pulsation dampener

DT **X** **50**

Basic options:
X = ATEX approved, group II, cat 2

Material of diaphragm:

E = EPDM
B = PTFE 1705B (solvents)
W = White (food grade) EPDM
N = NBR (nitrile rubber)
T = PTFE
Z = PTFE with white back

P **T** - **3APL**

Material of wetted dampener housing:
A = aluminium
P = polyethylene
S = stainless steel AISI 316L
T = PTFE

Special executions*:

3 = Optional connections
5 = Other special executions*
6 = Optional material damper block
9 = Optional material housing screws
11 = Housing reinforcement plate

* = Ask us for complete pump code with all available options and executions. Changes reserved without notice

Please contact us at your nearest Tapflo office

Tapflo has approximately 50 sales offices spread over more than 20 countries. In addition to this we are represented by independent distributors in about another 30 countries.

■ Australia ■ Belarus ■ Belgium ■ Bosnia ■ Brazil ■ Bulgaria ■ Chile ■ China ■ Colombia ■ Croatia ■ Czech/Slovakia ■ Denmark ■ Ecuador ■ Estonia ■ Finland ■ France ■ Greece ■ Germany ■ Hong-Kong ■ Hungary ■ India ■ Indonesia ■ Iran ■ Ireland ■ Israel ■ Italy ■ Kazakhstan ■ Latvia ■ Lithuania ■ Macedonia ■ Malaysia ■ Montenegro ■ The Netherlands ■ New Zealand ■ Norway ■ Poland ■ Philippines ■ Romania ■ Russia ■ Singapore ■ Slovenia ■ South Africa ■ Spain ■ Sweden ■ Switzerland ■ Syria ■ Taiwan ■ Thailand ■ Turkey ■ Ukraine ■ United Arab Emirate ■ United Kingdom ■ USA

www.tapflo.com

Austria

Tapflo Austria
Tel: +43 732 27292920
sales@tapflo.at

Azerbaijan

Tapflo Azerbaijan LLC
Tel: +994 12 447 57 77
sales@tapflo.az

Baltic States

Tapflo Latvia
Tel: +371 67472205
riga@tapflo.lv

Belarus

Tapflo Belarus
Tel: +375 17 3121370
sales@tapflo.by

Bulgaria

Tapflo EOOD
Tel: +359 (2) 974 18 54
sofia@tapflo.org

Croatia

Tapflo Croatia
Tel.: +385 914884666
dg@tapflo.org

Czech Republic & Slovakia

Tapflo s.r.o.
Tel: +420 548 138 660
logistika@tapflo.cz

China

Tapflo (Wuxi)
Tel: +86 510 8241 7602
sales@tapflo.cn

Denmark

Tapflo Danmark
Tel: +45 36 454600
info@tapflo.dk

France

Tapflo France
Tel: +33 1 34 78 82 40
info@tapflo.fr

Georgia

Tapflo Georgia
Tel: +995 577 463010
sales@tapflo.ge

India

Tapflo Fluid Handling India Pvt Ltd
Tel: +91 20 65000215
ad@tapflo.in

Ireland

Tapflo Ireland Ltd
Tel: +353 1 2011911
info@tapflo.ie

Italy

Tapflo Italia
Tel: +39 0362307698
info@tapfloitalia.com

Japan

Tapflo Japan K.K.
Tel: +81-3-6240-3510
tapflojp@tapflo.co.jp

Kazakhstan

Tapflo Kazakistan
Tel: +7 727 256 05 45
sales@tapflo.kz

Poland

Tapflo Sp. z o.o.
Tel: +48 58 5301181
gda@tapflo.pl

Romania

S.C. Tapflo Rom. S.r.l.
Tel: +40 21 3451255
sales@tapflo.ro

Russia

Tapflo Company
Tel: +7 495 232 18 28
sales@tapflo.com.ru

Serbia

Tapflo d.o.o.
Tel: +381 21 44 58 08
sales@tapflo.rs

Spain

Tapflo Iberica
Tel: +34 91 8093182
avives@tapfloiberica.es

South Africa

Tapflo (Pty) Ltd
Tel: +27 31 701 5255
sales@tapflo.co.za

Turkey

Tapflo Makina Ltd
Tel: +90 216 467 33 11
sales@tapflo.com.tr

Ukraine

TOB Tapflo
Tel: +380 44 222 68 44
sales@tapflo.com.ua

Uzbekistan

Tapflo Uzbekistan
Tel.: +998 909828940
sales@tapflo.uz

United Kingdom

Tapflo (UK) Ltd
Tel: +44 2380 252325
sales@tapflo pumps.co.uk

Tapflo AB

Filaregatan 4
S-442 34 Kungälv, Sweden

Tel: **+46 303 63390**
Fax: **+46 303 19916**

E-mail addresses:
Commercial questions
Orders
Tech support

sales@tapflo.com
order@tapflo.com
support@tapflo.com